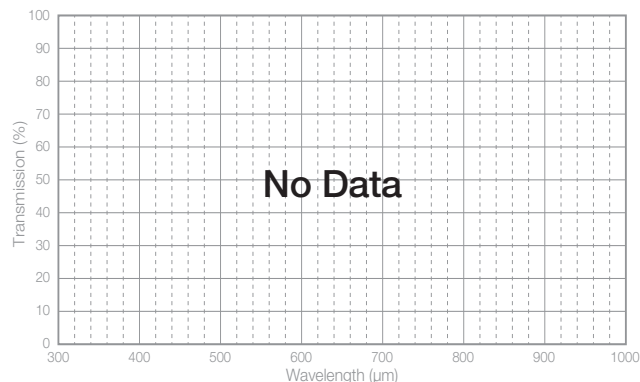


LCACHN 20XIPC

UPLFLN-IPC / CACHN-IPC / LCACHN-IPC



W.D. 3.2	MAG. 20X	FN 22	NA 0.4	IM Dry	
BF	DF	FL	DIC	IR	TIRF
MPE	PH	PO	RC	UV	CY

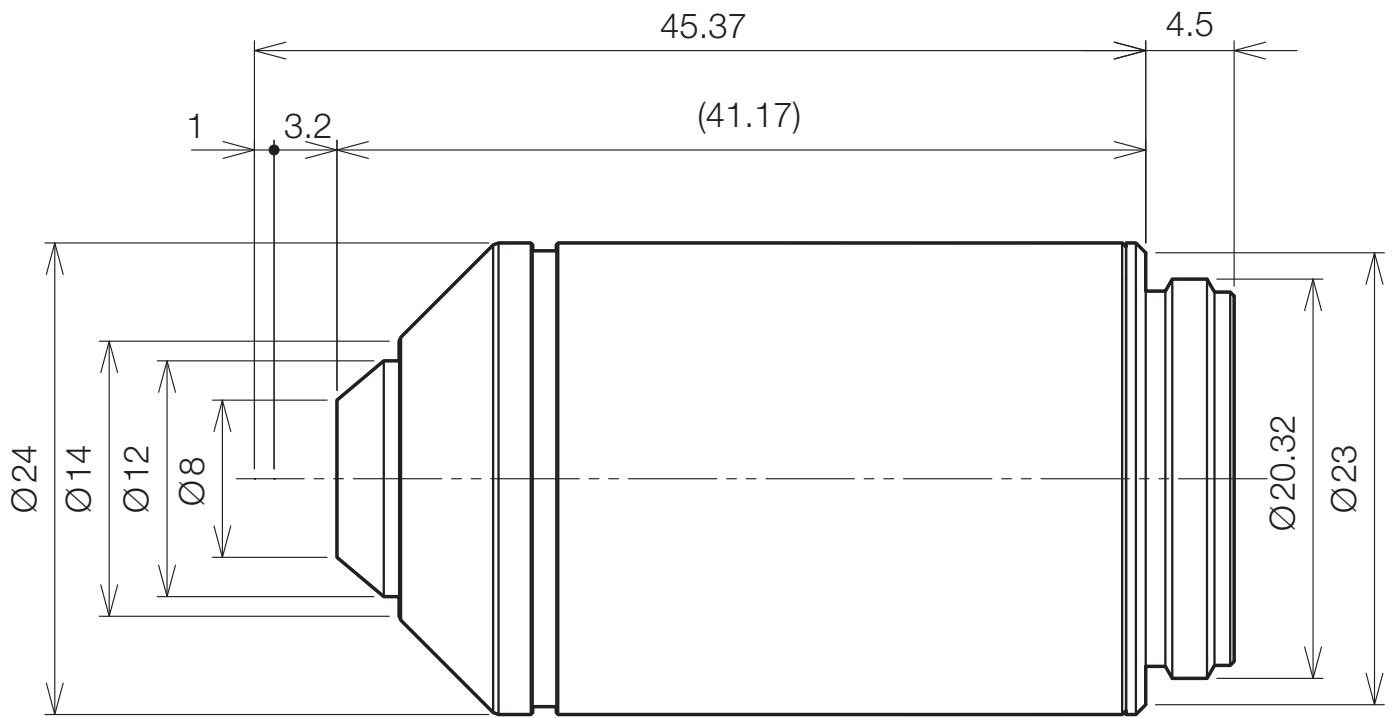
This series is used in combination with the pre-centered phase contrast slider CKX3-SLP. When changing the objective magnification in phase contrast observation, no centering adjustment is necessary.

Specifications

Numerical Aperture (NA)	0.4
Working distance (W.D.) (mm)	3.2
Field Number (FN)	22
Cover Glass Thickness (mm)	1
Immersion	-
Spring	-
Correction Collar	-
Iris Diaphragm	-
Waterproof & Oil proof function	-
Ultra Wide anti-reflection coating	-
Super apochromatic	-
Brightfield	Good
Darkfield	Good
DIC	N/A
Phase Contrast	Excellent
Relief Contrast	N/A
Polarized Light	Limitation
Fluorescence (B, G Excitation)	Good
UV Fluorescence (at 365nm)	N/A
IR DIC	N/A
Multi photon excitation	N/A

LCACHN 20XIPC

Dimension



(Unit : mm)

• Specifications and appearances are subject to change without any notice or obligation on the part of the manufacturer.