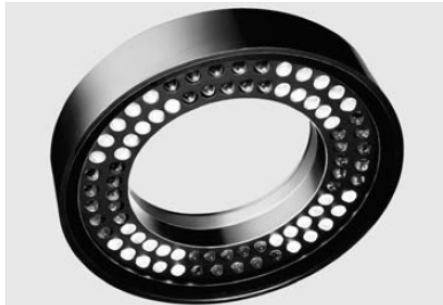
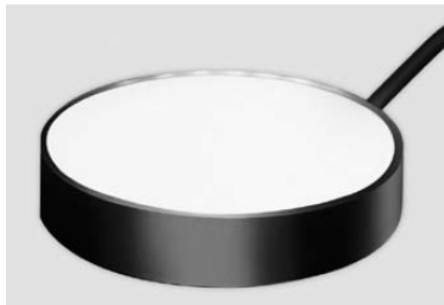


# VisiLED Brightfield Lightheads

Illumination system specially developed for stereo microscopy and macroscopy applications.



Brightfield ringlight, S80-55



Transmitted Light Stage

## Features

- Easily adaptable to microscope objectives by means of thumb screw and clamp ring.
- Homogeneous illumination
- Long operating life: typically 50,000 h by actively controlling the LED's temperature.
- Segments controllable in different preset modes for optimum contrasting.



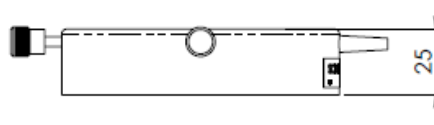
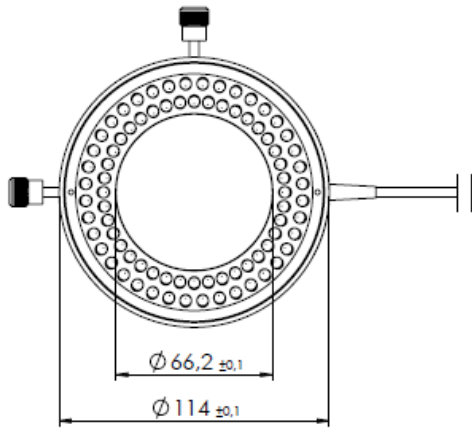
| Lightheads                           |          |                             |   |                         |                   |
|--------------------------------------|----------|-----------------------------|---|-------------------------|-------------------|
| Description                          | Part-No. | Free working distance (FWD) | Max. illuminance                                  | Inner Ø                 | Outer Ø           |
| LED Brightfield ringlight "S40-55"   | 400 100  | 55–110 mm<br>(2.17"–4.33")  | 140 klx (75 mm)<br>(2.95")                        | 66 mm<br>(2.60")        | 114 mm<br>(4.49") |
| LED Brightfield ringlight "S80-25"   | 400 225  | 25–50 mm<br>(0.98"–1.97")   | 360 klx (30 mm)<br>(1.18")                        | 66 mm<br>(2.60")        | 114 mm<br>(4.49") |
| LED Brightfield ringlight "S80-55"   | 400 255  | 50–135 mm<br>(2.17"–5.32")  | 200 klx (75 mm)<br>(2.95")                        | 66 mm<br>(2.60")        | 114 mm<br>(4.49") |
| LED Brightfield ringlight "S80-65 N" | 400 265  | 35–100 mm<br>(1.38"–3.94")  | 130 klx (55 mm)<br>(2.17")                        | 81 mm<br>(3.19")        | 130 mm<br>(5.12") |
| Transmitted light stage "TLS-BF"     | 400 400  |                             | 20,000 cd/m <sup>2</sup><br>(luminance in center) | active 50 mm<br>(1.97") | 84 mm<br>(3.31")  |

| Accessories   |          |
|---|----------|
| Description   | Part-No. |
| Combi-kit to combine one brightfield and the darkfield for mixed illumination. (not S80-65 N) | 400 500  |
| Polarization filter set for S80-55 brightfield ringlight.                                     | 400 550  |
| Polarization filter attachment for transmitted light stage.                                   | 158 500  |
| Protection window for brightfield ringlights (not S80-65 N)                                   | 400 560  |
| Diffusor for brightfield ringlights (not S80-65 N)  | 400 570  |
| Polarization filter set for S80-65 N brightfield ringlight.                                   | 400 665  |

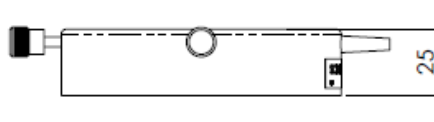
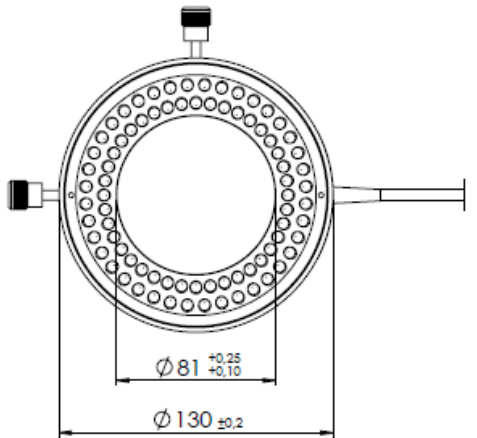
Version 05.2015



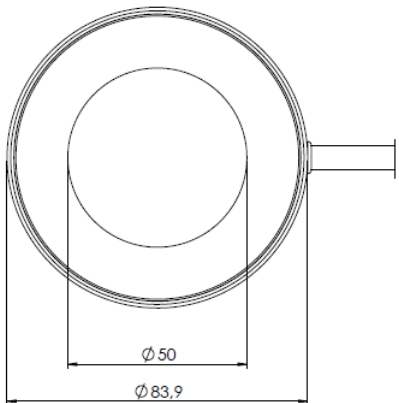
# VisiLED Brightfield Lightheads



Brightfield ringlight S40-55, S80-25, S80-55



Brightfield ringlight S80-65 N



Transmitted light stage

## Objective adaptors for ringlights

|                    |         |
|--------------------|---------|
| Ø 58 mm to Ø 66 mm | 157 450 |
| Ø 60 mm to Ø 66 mm | 157 452 |

All specifications are subject to change without prior notice. This datasheet or any extracts thereof may only be used in other publications with express permission of SCHOTT. © SCHOTT AG

Lighting and Imaging  
**SCHOTT AG**  
 Hattenbergstrasse 10  
 55122 Mainz  
 Germany  
 Phone: +49 (0) 6131/66-7796  
 Fax: +49 (0) 6131/66-7850  
 lightingimaging@schott.com  
 www.schott.com/lightingimaging

**SCHOTT**  
 glass made of ideas